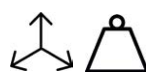
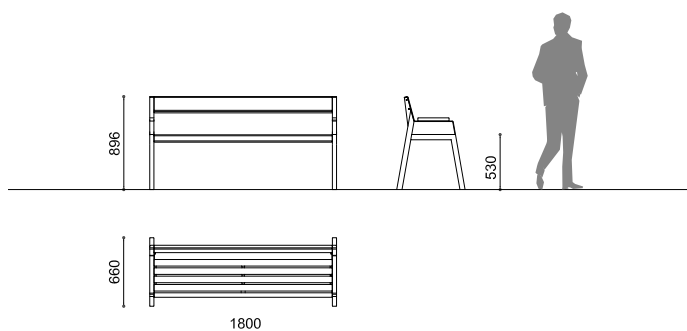




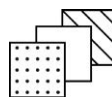
Bench with backrest and armrests consisting of two 50x40x2 mm tubular steel supports and seat with 4 mm thick folded steel sheet frame and 60x32 mm hardwood or thermo-treated pine slats. The backrest and armrests are in 4 mm thick folded steel. The armrests are fitted with a 40x32 mm wooden pad. All metal parts are galvanised and coated with thermosetting polyester powder. The hardwood is treated with water-based pigmented impregnation, while thermo-treated pine is supplied not impregnated (impregnation available as an option). All fixings are in AISI304 stainless steel. Prepared for ground fixing through M10 threaded bars to cement (included).

## technical data



1800x660 mm  
H 896 mm h 530 mm

CASTEO W 47 kg  
CASTEO TW 36 kg



Galvanised and powder coated steel  
Hardwood  
Thermo-treated pine



Prepared for ground fixing through M10 threaded bars to cement (included)

